

Rizonflow® Carbon Steel Filter Housing

Rizonflow® Carbon Steel Filter Housing is designed for installation of each type of high flow filter cartridge. Compared to usual type of vessels, it allows larger size of filter cartridge and it requires less cost. Horizontal design and coreless structure make a quick and easy change out for filter cartridges. Materials include carbon steel with rubber liner, carbon steel with PE liner and carbon steel with stainless steel liner.



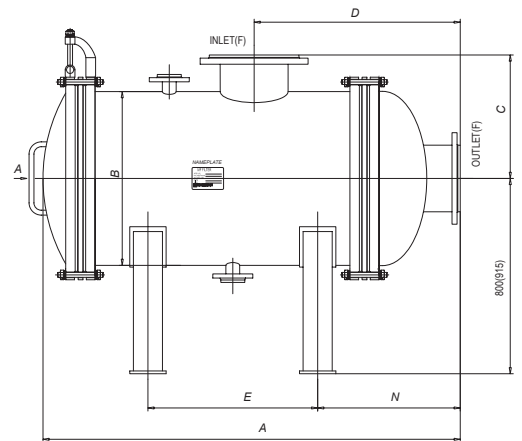
Features & Benefits

- It affords higher filter pressure, and provides variety type of pressure rating.
- Unique supporting net tube structure permits safe use of filter cartridge
- Horizontal & Vertical installing ways are provided, easy installation and maintenance for customers.
- Unique design specialized for sea water desalination application

Specification

Design pressure	0.6Mpa(6.0bar)0.75Mpa(7.5 bar)1.0Mpa(10bar) (Note: For more pressure rating, Pls don't hesitate to consult our company)
Maximum temperature	120°C
Filtration media	Usual fluid and seawater
Sealing type	O-ring and flat gasket
Sealing material	Buna-N rubber/Silicon rubber/Fluororubber
Connector	Thread mouth/Coupling/standard flange (GB、HG、DIN、ANSI, etc)
Applicable filter cartridge	Rizonflow/Rizonflow+/Realmax filter cartridge
Surface treatment	Metal corrosion(Standard Color: White)

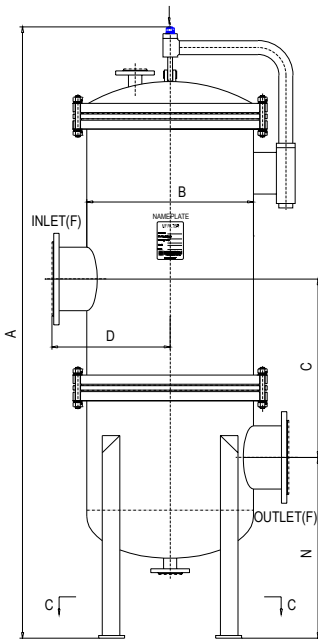
Carbon Steel Filter Housing Parameter



Horizontal Carbon Steel Filter Housing Parameter

Model	Elements (Quantity)	A (mm)	B (mm)	C (mm)	D (mm)	E (mm)	F (mm)	N (mm)	Flowrate Recommended (GPM)	Weight (KG)
HO-02	2	1650	DN450	381	740	700	DN150	540	500	288
HO-03	3	1800	DN500	406	800	700	DN200	540	750	322
HO-04	4	1800	DN550	431	800	700	DN200	560	1000	360
HO-05	5	1800	DN600	456	850	700	DN250	581.5	1250	390
HO-07	7	1950	DN700	506	850	700	DN250	588	1750	500
HO-08	8	1950	DN800	558	925	700	DN250	640.5	2000	640
HO-12	12	2000	DN900	608	990	700	DN300	698.5	3000	760
HO-15	15	2100	DN1000	710	1050	700	DN350	782	3750	970
HO-19	19	2100	DN1100	760	1040	700	DN400	845	4750	1500
HO-32	32	2800	DN1300	860	1165	1200	DN500	987	8000	3200

Note: The data above apply to Rizonflow® and Rizonflow+® RFPA filter cartridge



Vertical Carbon Steel Filter Housing Parameter

Model	Elements (Quantity)	A (mm)	B (mm)	C (mm)	D (mm)	E (mm)	F (mm)	N (mm)	Flowrate Recommended (GPM)	Weight (KG)
VT-01	1	1800	DN250	800	236.5	250×3	DN100	200	250	150
VT-02	2	2450	DN450	750	381	400×3	DN150	650	500	304
VT-03	3	2500	DN500	770	406	460×3	DN200	730	750	350
VT-04	4	2550	DN550	770	431	510×3	DN200	730	1000	380
VT-05	5	2600	DN600	750	455	548×3	DN250	750	1250	430
VT-07	7	2650	DN700	770	506	650×4	DN250	780	1750	540
VT-08	8	2700	DN800	820	558	750×4	DN250	830	2000	720
VT-12	12	2750	DN900	810	608	830×4	DN250	840	3000	840

Note: The data above apply to Rizonflow® and Rizonflow+® RFPA filter cartridge.